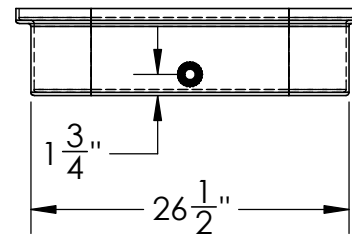
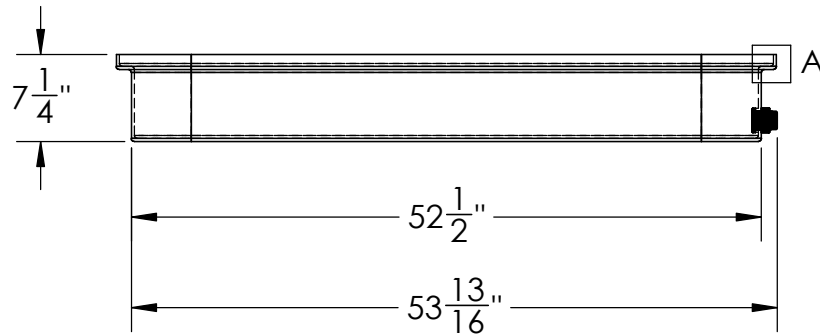
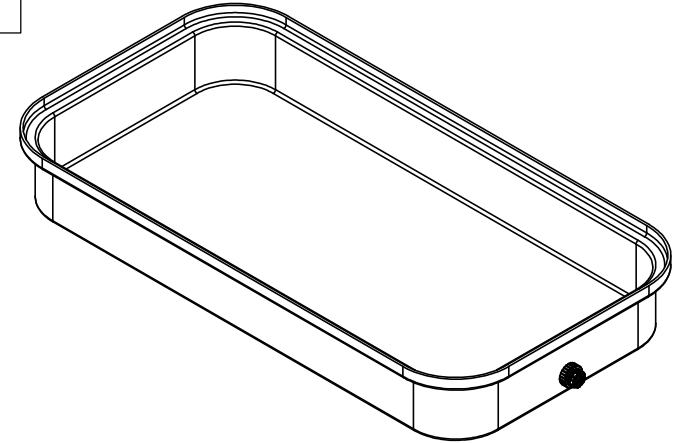


DETAIL A



Drum Containment Basin
With Drain



1390 Neubrecht Road
Lima, Ohio 45801

STOCK NO.
17148, 17150, 17152, 17153

REV
A

DO NOT SCALE DRAWING

WEIGHT: 22.5 lbs.

DIMENSIONS ARE IN INCHES TOLERANCE: ± 1/4"		NAME	DATE
MATERIAL	LLDPE - FDA resin	DRAWN	JMP 03/31/21
CAPACITY	40 Gal.	APPROVED	
GRADUATIONS	N/A	REVISIONS	
NOMINAL WALL THICKNESS	1/4"	COMMENTS: Natural, Yellow, Blue, Black UV Stabilized	

PROPRIETARY AND CONFIDENTIAL

THE INFORMATION CONTAINED IN THIS DRAWING IS THE SOLE PROPERTY OF TAMCO. ANY REPRODUCTION IN PART OR AS A WHOLE WITHOUT THE WRITTEN PERMISSION OF TAMCO IS PROHIBITED.

MAX. OPERATING TEMP. 140°F
INTERMITTENT SERVICE TO 160°F
SEE CHEMICAL RESISTANCE
CHART FOR COMPATIBILITY